



Viewing Panel

AMS VP01



The global standard in
security hardware solutions



Viewing Panel

AMS VP01

Enhancing the viewing experience for timber doors.

The **AMS Viewing Panel** can be used in any timber door that requires the additional safety of a viewing panel. The Viewing Panel allows a visual check before a door is opened, enhancing occupational health and safety.

CONSTRUCTION

- 2mm Stainless steel
- Concealed fixings
- Glass to suit

DIMENSIONS

- Glass viewing size 300mm x 100mm
- Including frame 380mm x 175mm
- The door must be a minimum thickness of 35mm

INSTALLATION

- Cut-out template included
- Screws provided
- Suitable for timber doors

APPLICATIONS

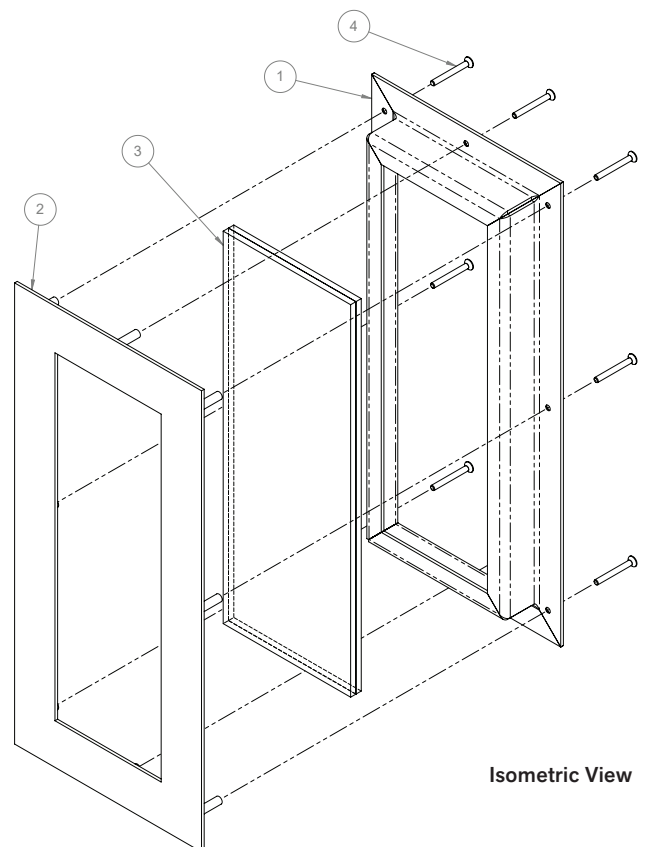
- Doors that require glass viewing panel for safety purposes
- Any timber door

OPTIONS

- Can be made to custom sizes
- Different types of glass can be used depending on required specifications.

HOW TO ORDER

Product Code	Product Finish
AMS VP01	Stainless steel



LET'S TALK
SECURITY

SCAN TO WATCH AMS VP01 VIDEO