



# Viewing Panel

AMS VP01



The global standard in  
security hardware solutions



# Viewing Panel

AMS VP01

## Enhancing the viewing experience for timber doors.

The **AMS Viewing Panel (AMS VP01)** can be used in any timber door that requires the additional safety of a viewing panel. The Viewing Panel allows a visual check before a door is opened, enhancing occupational health and safety.



## CONSTRUCTION

- 2mm Stainless steel
- Concealed fixings
- Glass to suit

## DIMENSIONS

- Glass viewing size 300mm x 100mm
- Including frame 380mm x 175mm
- The door must be a minimum thickness of 35mm

## INSTALLATION

- Cut-out template included
- Screws provided
- Suitable for timber doors

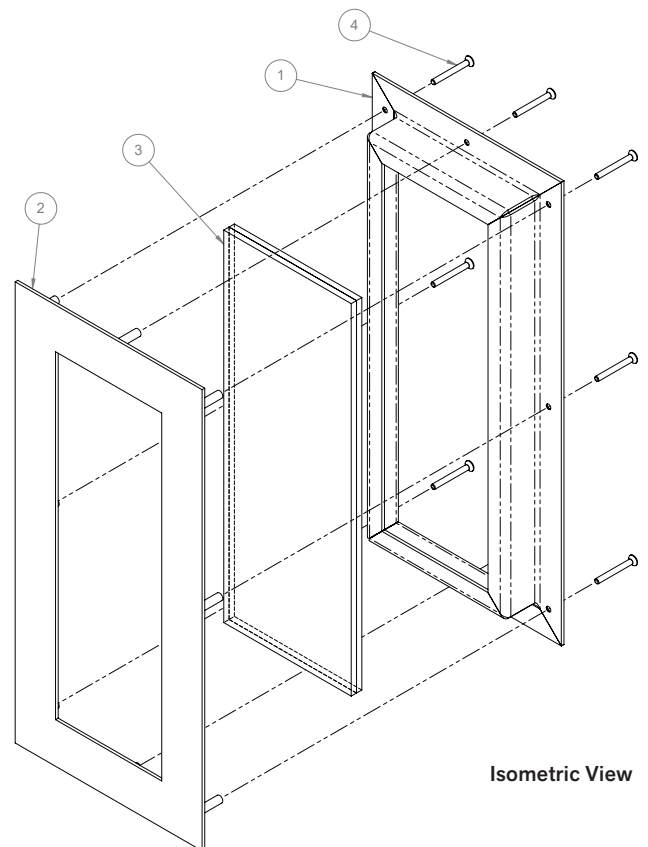
## APPLICATIONS

- Doors that require glass viewing panel for safety purposes
- Any timber door

## OPTIONS

- Can be made to custom sizes
- Different types of glass can be used depending on required specifications.

## HOW TO ORDER



Isometric View

Product Code	Product Finish
AMS VP01	Stainless steel